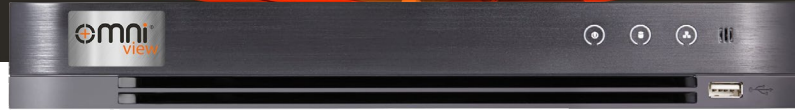


Digital Video Recorder - Business Series 4 Channels



| Model | DS-7204HUHI-K1 | DS-7208HUHI-K1 |
|---|--|---|
| Perimeter Protection¹ | | |
| Line Crossing Detection/ Intrusion Detection | 2-ch Enhanced VCA mode on: 4-ch | 2-ch Enhanced VCA mode on: 8-ch |
| Recording | | |
| Video compression | H.265 Pro+/H.265 Pro/H.265/H.264+/H.264 | |
| Encoding resolution | When 8 MP Lite mode is not enabled: 8 MP/5 MP/3K/4 MP/3 MP/1080p/720p/WD1/4CIF/VGA/CIF When 8 MP Lite mode is enabled: 8 MP Lite/5 MP/4 MP/3MP/1080P/720P/WD1/4CIF/VGA/CIF | |
| Frame rate | Main stream: When 8 MP Lite mode is not enabled: 8 MP@8 fps/5 MP@12 fps/3K@12 fps/4 MP@15 fps/3 MP@18 fps 1080p/720p/WD1/4CIF/VGA/CIF@25 fps (P)/30 fps (N) *: 8 MP@8 fps is only available for channel 1 of DS-7204HUHI-K1. When 8 MP Lite mode is enabled: 8 MP Lite/5 MP@12 fps/4 MP/3 MP/1080P/720P/WD1/4CIF/VGA/CIF@15 fps *: 8 MP Lite is only available for DS-7204HUHI-K1. Sub-stream: WD1/4CIF/CIF@25fps (P)/30fps (N) | |
| Video bit rate | 32 Kbps to 10 Mbps | |
| Dual stream | Support | |
| Stream type | Video, Video & Audio | |
| Audio compression | G.711u | |
| Audio bit rate | 64 Kbps | |
| Video and Audio | | |
| IP video input ² | 2-ch (up to 6-ch) Enhanced IP mode on: 4-ch (up to 8-ch), each up to 4 Mbps | 4-ch (up to 12-ch) Enhanced IP mode on: 8-ch (up to 16-ch), each up to 4 Mbps |
| | Up to 8 MP resolution Support H.265+/H.265/H.264+/H.264 IP cameras | |
| Analog video input | 4-ch | 8-ch BNC interface (1.0 Vp-p, 75 Ω), supporting coaxitron connection |
| HDTV input | 8 MP, 5 MP, 4 MP, 3 MP, 1080p30, 1080p25, 720p60, 720p50, 720p30, 720p25 | |
| AHD input | 5 MP, 4 MP, 1080p25, 1080p30, 720p25, 720p30 | |
| HDCVI input | 5 MP, 4 MP, 1080p25, 1080p30, 720p25, 720p30 | |
| CVBS input | PAL/NTSC | |

Digital Video Recorder - Business Series

4 Channels

| Model | DS-7204HUHI-K1 | DS-7208HUHI-K1 |
|---------------------------------------|---|--|
| CVBS output | 1-ch, BNC (1.0 Vp-p, 75 Ω), resolution: PAL: 704 × 576, NTSC: 704 × 480 | |
| VGA output | 1-ch, 1920 × 1080/60Hz, 1280 × 1024/60Hz, 1280 × 720/60Hz, 1024 × 768/60Hz | |
| HDMI output | 1-ch, 1920 × 1080/60Hz, 1280 × 1024/60Hz, 1280 × 720/60Hz, 1024 × 768/60Hz | 1-ch, 4K (3840 × 2160)/30Hz, 2K (2560 × 1440)/60Hz, 1920 × 1080/60Hz, 1280 × 1024/60Hz, 1280 × 720/60Hz, 1024 × 768/60Hz |
| Audio input | 4-ch via coaxial cable | 4-ch, RCA (2.0 Vp-p, 1 KΩ) 8-ch via coaxial cable |
| Audio output | 1-ch, RCA (Linear, 1 KΩ) | |
| Two-way audio | 1-ch, RCA (2.0 Vp-p, 1 KΩ) (using the first audio input) | |
| Synchronous playback | 4-ch | 8-ch |
| Network | | |
| Total bandwidth | 96 Mbps | 128 Mbps |
| Incoming bandwidth (Enhanced IP mode) | Up to 32 Mbps | Up to 64 Mbps |
| Remote connection | 32 | 64 |
| Network protocol | TCP/IP, PPPoE, DHCP, Hik-Connect, DNS, DDNS, NTP, SADP, NFS, iSCSI, UPnP™, HTTPS, ONVIF | |
| Network interface | 1, RJ45 10M/100M self-adaptive Ethernet interface | 1, RJ45 10M/100M/1000M self-adaptive Ethernet interface |
| Auxiliary interface | | |
| SATA | 1 SATA interface | |
| Capacity | Up to 10 TB capacity for each disk | |
| Serial interface | RS-485 (half-duplex) | |
| USB interface | 2 × USB 2.0 | Front panel: 1 × USB 2.0 Rear panel: 1 × USB 3.0 |
| Alarm in/out | 4/1 | 8/4 |
| General | | |
| Power Supply | 12 VDC, 1.5 A | 12 VDC, 3.33 A |
| Consumption (without HDD) | ≤ 10 W | ≤ 20 W |
| Working temperature | -10 °C to +55 °C (+14 °F to +131 °F) | |
| Working humidity | 10% to 90% | |
| Dimension (W × D × H) | 315 × 242 × 45 mm (12.4 × 9.5 × 1.8 inch) | |
| Weight (without HDD) | ≤ 1.16 kg (2.6 lb) | ≤ 2 kg (4.4 lb) |

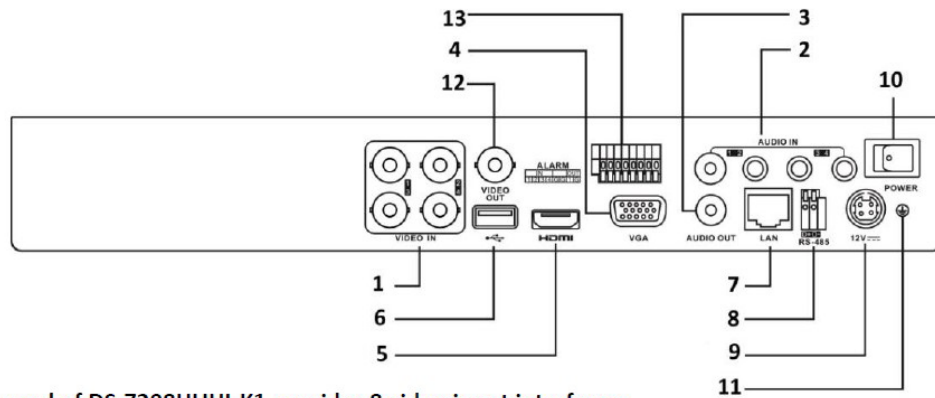
Digital Video Recorder - Business Series 4 Channels

Note:

1: Enabling enhanced VCA mode will maximize the connectable channel number for perimeter protection (line crossing detection and intrusion detection), but disable 2K/4K HDMI output resolution and 4 MP/5 MP/8 MP signal input.

2: Enhanced IP mode might be conflicted with smart events (perimeter protection) or other functions, please refer to the user manual for details.

Physical Interface



*: The rear panel of DS-7208HUHI-K1 provides 8 video input interfaces.

| No. | Description | No. | Description |
|-----|----------------------------|-----|-------------------------|
| 1 | Video and Coaxial Audio In | 8 | RS-485 Serial Interface |
| 2 | AUDIO IN, RCA Connector | 9 | 12 VDC Power Input |
| 3 | AUDIO OUT, RCA Connector | 10 | Power Switch |
| 4 | VGA Interface | 11 | GND |
| 5 | HDMI Interface | 12 | VIDEO OUT |
| 6 | USB Interface | 13 | Alarm In/Out |
| 7 | LAN Network Interface | | |